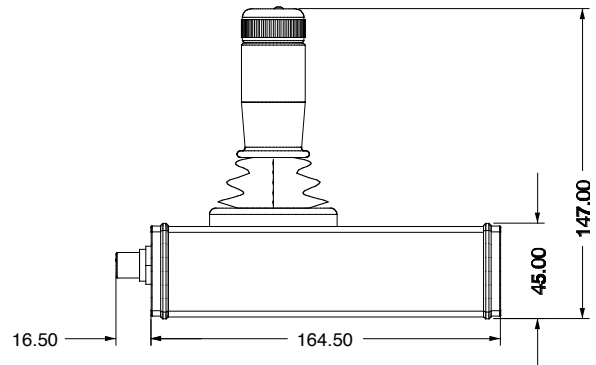


# JOYSTICK PI Radio CANbus Joystick Controller



Transceiver

- Multifunctional CANbus radio (wireless) joystick
- Functions wirelessly when detached from control/charge cable
- Identical to standard PI joystick in all other respects, including the following functions:
- Intuitive, progressive speed control
- 2- or 3-Axis control (horizontal, vertical, nozzle)
- Nozzle spray pattern controlled by dial on tip of joystick shaft
- Record / Play - Record any sequence including velocity changes, pauses, & nozzle spray pattern. Play back in a continuous loop
- Programmable park (stow) function
- LED Position Indicators for relative horizontal, vertical and nozzle positions
- Valve Control Button
- 2 auxiliary buttons for custom configuration & control of peripherals (e.g., lights, valves, etc.)
- Up to 500 meter cable supported
- Hand-held
- Weighs only 1 Kg

Part Number(s):  
FOR00207R

Price each (SEK)  
28,500

**UNIFIRE**