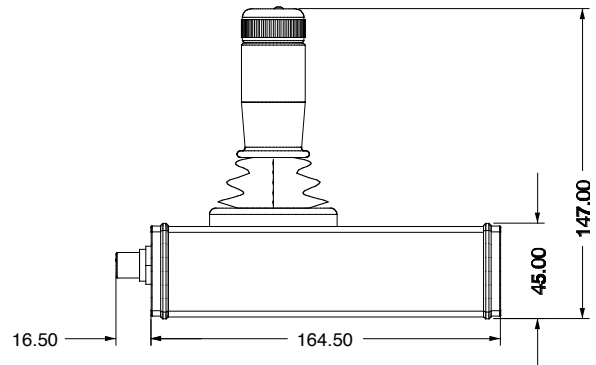


JOYSTICK PI

CANbus Joystick Controller



- Multifunctional CANbus joystick
- Intuitive, progressive speed control
- 2- or 3-Axis control (horizontal, vertical, nozzle)
- Nozzle spray pattern controlled by dial on tip of joystick shaft
- Record / Play - Record any sequence including velocity changes, pauses, & nozzle spray pattern. Play back in a continuous loop.
- Programmable park (stow) function
- LED Position Indicators for relative horizontal, vertical and nozzle positions
- Valve Control Button
- 2 auxiliary buttons for custom configuration & control of peripherals (e.g., lights).
- Up to 500 meter cable supported
- Hand-held
- Weighs only 1 Kg

Part Number(s):
FOR00207

Price each (SEK)
12,800

UNIFIRE